

## DESCRIPTION

LDLOG is a data log system.

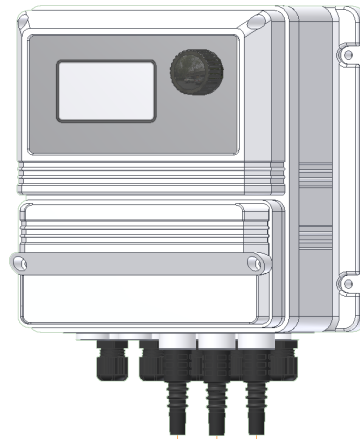
LDLOG permanently collects data by a maximum of three pulse emitter water meters and three flow sensors connected to the dosing pumps to record the chemical consumption and the amount of water treated.

In Advanced USB configuration collected data are stored in a USB-pen and secured against unauthorized access.

LDLOG shows daily, monthly and annual data.

DATA LOG showed on display

Remote control via ERMES in Ethernet and GSM/GPRS configurations.



## FEATURES

### INPUT

- 3 flow sensors input
- 3 pulse sender water meter input

LOG FORMAT FILE  
CSV / EMC

PROTECTION  
IP 64

INPUT SIGNAL  
BNC

### POWER SUPPLY

90-265 VAC; 50/60 Hz

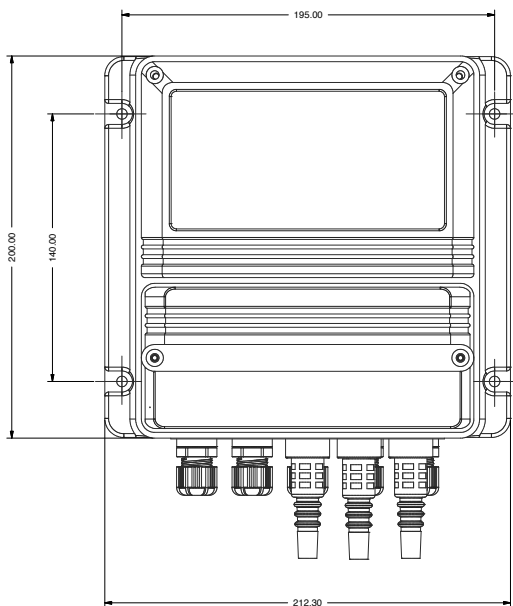
### AVERAGE CONSUMPTION

25 W

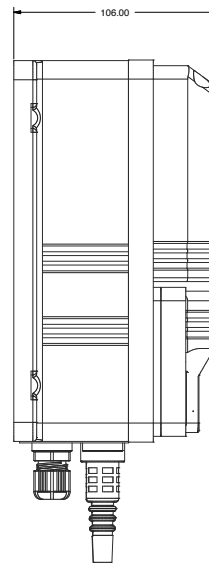
### ENVIRONMENT

-10 - 50°C (14 - 122°F)

0-95% (non condensing) relative humidity



FRONT



SIDE

## DESCRIPTION

LDLOG mA is a data log system.

LDLOG mA controller records on a USB device (i.e.: pendrive) the chemical consumption and the quantity remaining into the tank, up to four.

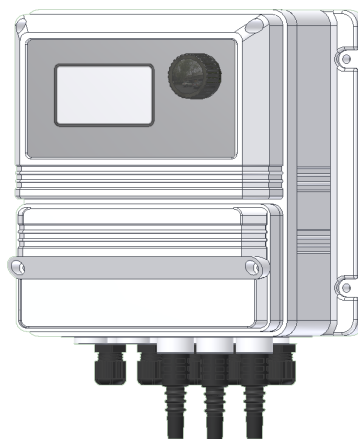
Collected data are stored in a USB-pen and secured against unauthorized access.

Display shows daily, monthly and annual dosed quantity and quantity remaining into tanks.

DATA LOG showed on display

End product alarm.

Remote control via ERMES.



## FEATURES

### INPUT

4 mA input (0-20 mA) for ultrasonic level sensor (mod. ELU)

### LOG FORMAT FILE

CSV / EMC

### PROTECTION

IP 64

### INPUT SIGNAL

BNC

### POWER SUPPLY

90-265 VAC; 50/60 Hz

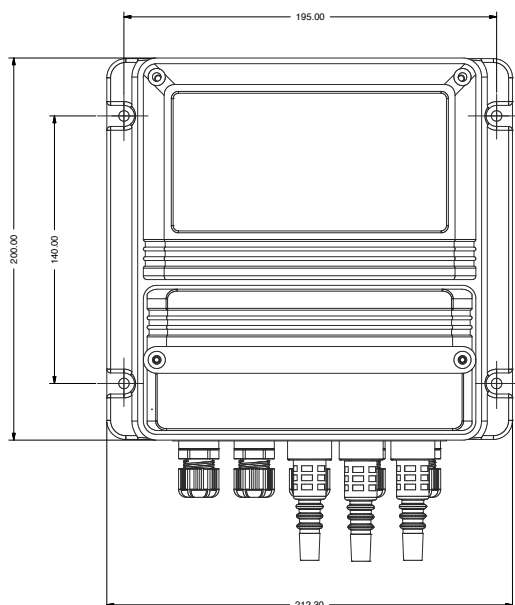
### AVERAGE CONSUMPTION

25 W

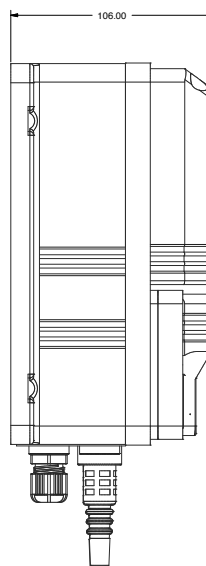
### ENVIRONMENT

-10°C ÷ 50°C (14°F ÷ 122°F)

0÷95% (non condensing) relative humidity



FRONT



SIDE