

## FEATURES

- Wide LCD backlight display
- Instrument operated by a rotation "Encoder"
- 1 metering pumps with PVDF pump heads
- A 230 Vac output driven by Redox
- Flow control input
- pH range: 0-14 pH; Redox range: 0-999 mV
- Alarms: max dosing time, probe check-up, level, voltage, flow
- N.O. or N.C. digital input
- Programmable delay at dosing startup (max 60 minutes)
- pH priority dosage over ORP dosage
- Probe check-up
- pH compensation
- Environment working temp.: -10°C - 45°C (14°F - 113°F)
- Power supply 190÷265 VAC; 50/60 Hz
- RS485 output for web control (ERMES)



WDPHRHS is an integrated All-in-One Swimming Pool Controller with a metering pump for acid (pH) and a 230 Vac output driven by disinfectant (ORP) for salt generator or dry feeder.

It is possible to operate in two different working modes: On/Off or proportional according with the set points.

In On/Off working mode, a "Waiting Time" function let the pumps operate at pulses per minutes for a set time (1 pulse every x minutes) to provide a reaction time.

### INPUT:

- Stand-by
- Flow
- pH level
- Redox level
- pH probe
- Redox probe
- Power supply

### OUTPUT:

- pH pump
- 230 Vac output
- Alarm output



## CONFIGURATION CODE

| MODELS              |
|---------------------|
| 0310                |
| SELF-VENTING MODELS |
| 0307                |

| POWER SUPPLY |                      |
|--------------|----------------------|
| 00           | 230 VAC Schuko plug  |
| 01           | 230 VAC without plug |
| 03           | 115 VAC US plug      |

Model

WBS 0310 1 00 00 000

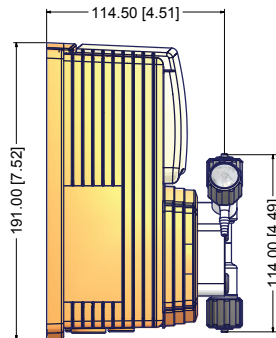
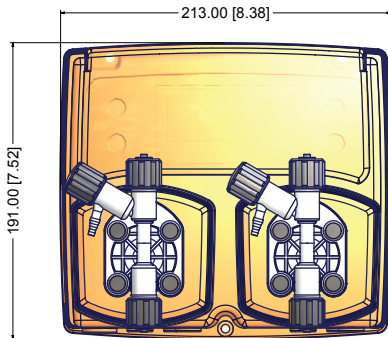
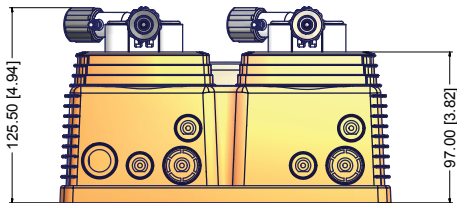
| LIQUID ENDS |      |        |        |         |           |          |         |                      |
|-------------|------|--------|--------|---------|-----------|----------|---------|----------------------|
|             | Head | Orings | Valves |         | Diaphragm | Hoses    |         | Viscosity<br>Max CPS |
|             |      |        | Body   | Balls   |           | Delivery | Suction |                      |
| 1           | PVDF | Viton® | PVDF   | Ceramic | PTFE      | PE       | PVC     | 100                  |
| 2           | PVDF | EPDM   | PVDF   | Ceramic | PTFE      | PE       | PVC     | 100                  |

Viton® is a registered trademark of DuPont Dow Elastomers.

# "WDPHRHS"

## Data Sheet

| INFORMATION        |                 |                   |                   |                      |
|--------------------|-----------------|-------------------|-------------------|----------------------|
| MODEL              | Stroke speed    |                   | Power consumption | Weight               |
|                    | Min stroke hour | Max stroke minute |                   |                      |
| 0310               | 1               | 180               | 32 Watt           | 3.0 Kg<br>(6.61 Lbs) |
| SELF-VENTING MODEL |                 |                   |                   |                      |
| 0310               | 1               | 180               | 32 Watt           | 3.0 Kg<br>(6.61 Lbs) |



| MORE INFORMATION   |      |      |                   |               |              |     |
|--------------------|------|------|-------------------|---------------|--------------|-----|
| MODEL              | Flow |      | Stroke/<br>minute | cc per stroke | Max pressure |     |
|                    | l/h  | GPH  |                   |               | bar          | PSI |
| 0310               | 10   | 2,64 | 180               | 0,93          | 03           | 44  |
| SELF-VENTING MODEL |      |      |                   |               |              |     |
| 0307               | 07   | 1,85 | 180               | 0,65          | 03           | 44  |